

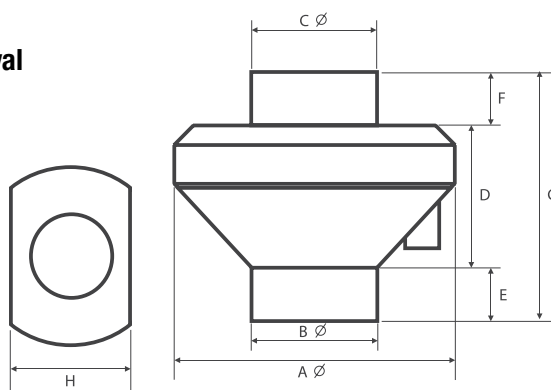
VENTILATION / FANS

IN-LINE FANS 6" (150mm) LOW PROFILE



Code: 764106L
6" (150mm) Oval

A = 340mm
B = 150mm
C = 150mm
D = 160mm
E = 75mm
F = 75mm
G = 310mm
H = 217mm



- 150mm (6") inlet / outlet size
- Manufactured from fire rated ABS Polymer
- Colour coded grey for easy product recognition
- Ebm R2E190 motor for proven reliability
- Low Profile, oval shape for easy installation into tight spaces like false ceilings or between floors
- Also available in a three speed option for precise air flow and sound levels.

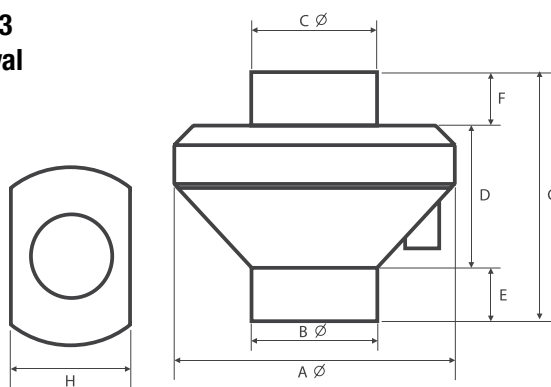
ORDER CODE	764106L
SIZE	150mm (6")
DESCRIPTION	Low Profile
PERFORMANCE	115 l/s (max)
PRICE	

IN-LINE FANS 6" (150mm) LOW PROFILE 3 SPEED



Code: 764106L3
6" (150mm) Oval

A = 340mm
B = 150mm
C = 150mm
D = 160mm
E = 75mm
F = 75mm
G = 310mm
H = 217mm



- 150mm (6") inlet / outlet size
- Manufactured from fire rated ABS Polymer
- Colour coded grey for easy product recognition
- Ziehl Ebm R2E190 motor for proven reliability
- Low Profile, oval shape for easy installation into tight spaces like false ceilings or between floors
- Long collars for easy flex duct attachment
- Precise speed and noise settings for various applications
- Injection moulded casing for strength and reliability
- Guaranteed for 3 years (motor) & 10 years (casing)
- Also available as a single speed unit

ORDER CODE	764106L3
SIZE	150mm (6")
DESCRIPTION	3 Speed / Low Profile
PERFORMANCE	Speed 1 - 56 l/s (max)
	Speed 2 - 85 l/s (max)
	Speed 3 - 112 l/s (max)
PRICE	

All prices **DO NOT** include GST.

www.westaflex.com.au

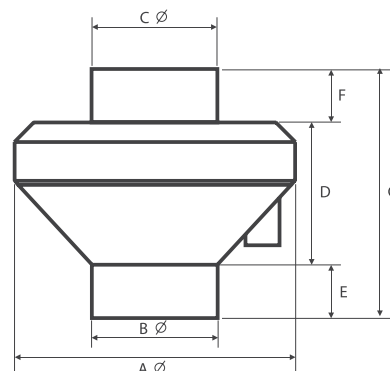
VENTILATION / FANS

IN-LINE FANS 6" (150MM) ROUND 190



Code: 764106
6" (150mm) Round

A = 342mm
B = 152mm
C = 152mm
D = 187mm
E = 75mm
F = 75mm
G = 336mm



- 150mm (6") inlet / outlet size
- Manufactured from fire rated ABS Polymer
- Colour coded black for easy product recognition
- Round shape for maximum airflow efficiency
- Ebm R2E190 motor for proven reliability
- Duct clips included
- Long collars for easy flex duct attachment

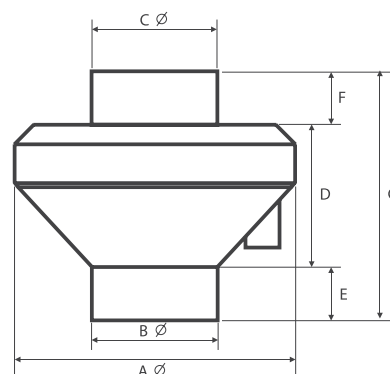
ORDER CODE	764106
SIZE	150mm (6")
DESCRIPTION	Round
PERFORMANCE	129 l/s (max)
PRICE	

IN-LINE FANS 8" (200MM) ROUND 190



Code: 764108
8" (200mm) Round

A = 342mm
B = 200mm
C = 200mm
D = 163mm
E = 75mm
F = 75mm
G = 312mm



- 200mm (8") inlet / outlet size
- Manufactured from fire rated ABS Polymer
- Colour coded lemon for easy product recognition
- Injection moulded for strength and reliability
- Round shape for maximum airflow efficiency
- Ebm R2E190 motor for proven reliability
- Duct clips included
- Long collars for easy flex duct attachment

ORDER CODE	764108
SIZE	200mm (8")
DESCRIPTION	Round
PERFORMANCE	135 l/s (max)
PRICE	

» NOTE

Re Release in 2010

All prices **DO NOT** include GST.

www.westaflex.com.au

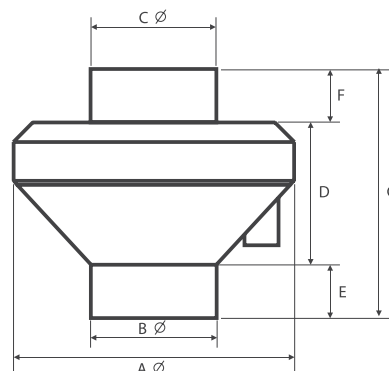
VENTILATION / FANS

IN-LINE FANS 8" (200MM) ROUND 220



Code: 765108
8" (200mm) Round

A = 342mm
B = 200mm
C = 200mm
D = 163mm
E = 75mm
F = 75mm
G = 312mm



- 200mm (8") inlet / outlet size
- Manufactured from fire rated ABS Polymer
- Colour coded yellow for easy product recognition
- Round shape for maximum airflow efficiency
- Medium sized Ebm R2E220 motor for proven reliability
- Duct clips included
- Long collars for easy flex duct attachment

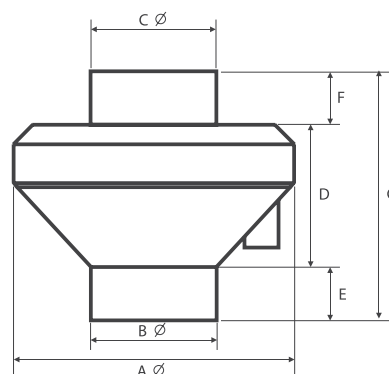
ORDER CODE	765108
SIZE	200mm (8")
DESCRIPTION	Round / Highflow
PERFORMANCE	199 l/s (max)
PRICE	

IN-LINE FANS 10" (250MM) ROUND 220



Code: 765110
10" (250mm) Round

A = 325mm
B = 246mm
C = 246mm
D = 178mm
E = 65mm
F = 65mm
G = 308mm



- 250mm (10") inlet / outlet size
- Manufactured from ASA Polymer
- Round shape for maximum airflow efficiency
- Medium sized Ebm R2E220 motor for proven reliability
- Duct clips included
- Long collars for easy flex duct attachment

ORDER CODE	765110
SIZE	250mm (10")
DESCRIPTION	Round
PERFORMANCE	188 l/s (max)
PRICE	

All prices **DO NOT** include GST.
www.westaflex.com.au

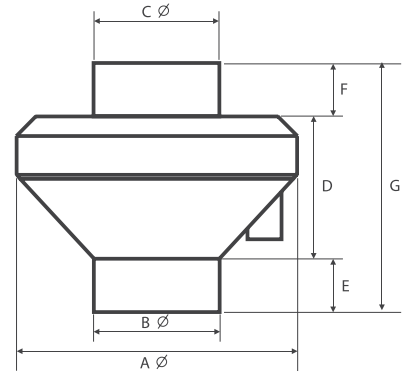
VENTILATION / FANS

IN-LINE FANS 10" (250MM) ROUND 225



Code: 766110
10" (250mm) Round

A = 325mm
B = 246mm
C = 246mm
D = 178mm
E = 65mm
F = 65mm
G = 308mm



- 250mm (10") inlet / outlet size
- Manufactured from ASA Polymer
- Round shape for maximum airflow efficiency
- Large sized Ebm R2E225 motor for proven high performance & reliability
- Duct clips included
- Long collars for easy flex duct attachment

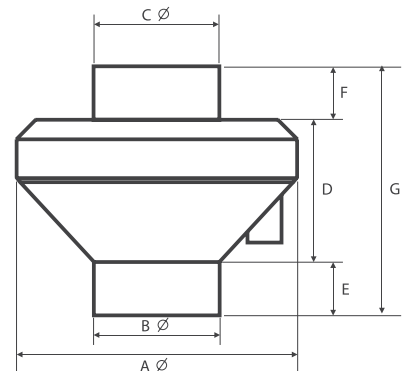
ORDER CODE	766110
SIZE	250mm (10")
DESCRIPTION	Round / Highflow
PERFORMANCE	275 l/s (max)
PRICE	

IN-LINE FANS 12" (300MM) ROUND 280



Code: 767112
12" (300mm) Round

A = 390mm
B = 300mm
C = 300mm
D = 180mm
E = 75mm
F = 75mm
G = 330mm



- 300mm (12") inlet / outlet size
- Manufactured from fire rated ABS Polymer
- Colour coded white for easy product recognition
- Ebm R2E280 motor for proven reliability
- Duct clips included
- Long collars for easy flex duct attachment

ORDER CODE	767112
SIZE	300mm (12")
DESCRIPTION	Round
PERFORMANCE	498 l/s (max)
PRICE	

All prices **DO NOT** include GST.

www.westaflex.com.au