

# VENTILATION / FANS

## BATHROOM VENTILATION HEAT 'N' VENT 2 "PRO SERIES"

40% increased performance on the previous Heat 'n' Vent 2 enables this system to be used in smaller bathrooms and the stylish fascia blends into the décor of any bathroom

- High efficiency centrifugal fan – incorporating a unique anti-condensate design feature
- Tiltable halogen downlight – to provide a whiter, brighter light and the ability to directionalise the lighting in your bathroom
- Temperature interlocked for peace of mind
- Easily installed in confined spaces – 185mm height to fit between floors
- Larger 120mm diameter, smooth bore aluminium ducting to provide increased airflow
- Fully complies to AS/NZS 60335.2.80
- Order Code: SEC0940

<b>PRODUCT CODE</b>	<b>SEC0940</b>
<b>VOLTAGE</b>	<b>220-240Vac</b>
<b>TOTAL WATTAGE</b>	<b>635W</b>
<b>FAN</b>	<b>Centrifugal</b>
<b>FAN PERFORMANCE</b>	<b>50 L/S</b>
<b>HEAT LAMPS</b>	<b>2 x 275w Hard Glass ES</b>
<b>DUCTING</b>	<b>120mm x 3mtr</b>
<b>SWITCH PLATE</b>	<b>3 switch</b>
<b>LIGHT</b>	<b>50w GV10</b>
	<b>Tiltable Halogen</b>
	<b>Downlight</b>
	<b>60o beam angle</b>
<b>GRILLE</b>	<b>120mm eggcrate design</b>
<b>WARRANTY</b>	<b>5 Years</b>
<b>TRANSFORMER</b>	<b>Not Required</b>
<b>APPROVAL NO</b>	<b>NSW18095/1</b>
<b>PRICE</b>	

Heat 'n' Vent 2 "Pro Series"



Heat Lamp



<b>ORDER CODE</b>	<b>SECL0081</b>
<b>PRICE</b>	

All prices **DO NOT** include GST.

[www.westaflex.com.au](http://www.westaflex.com.au)

# VENTILATION / FANS

## BATHROOM VENTILATION HEAT 'N' VENT 4 "PRO SERIES"

40% increased performance on the previous Heat 'n' Vent 4 enables this system to be used in today's larger bathrooms and the stylish fascia blends into the décor of any bathroom.

- High efficiency centrifugal fan – incorporating a unique anti-condensate design feature
- Tiltable halogen downlight – to provide a whiter, brighter light and the ability to directionalise the lighting in your bathroom
- Temperature interlocked for peace of mind
- Easily installed in confined spaces – 170mm height to fit between floors
- Larger 120mm diameter, smooth bore aluminium ducting to provide increased airflow
- Fully complies to AS/NZS 60335.2.80
- Order Code: SEC0995

<b>PRODUCT CODE</b>	<b>SEC0995</b>
<b>VOLTAGE</b>	<b>220-240Vac</b>
<b>TOTAL WATTAGE</b>	<b>1180W</b>
<b>FAN</b>	<b>Centrifugal</b>
<b>FAN PERFORMANCE</b>	<b>60 L/S</b>
<b>HEAT LAMPS</b>	<b>4 x 275w Hard Glass ES</b>
<b>DUCTING</b>	<b>120mm x 3mtr</b>
<b>SWITCH PLATE</b>	<b>4 switch</b>
<b>LIGHT</b>	<b>50w GV10</b>
	<b>Tiltable Halogen</b>
	<b>Downlight</b>
	<b>60° beam angle</b>
<b>GRILLE</b>	<b>120mm eggcrate design</b>
<b>WARRANTY</b>	<b>5 Years</b>
<b>TRANSFORMER</b>	<b>Not Required</b>
<b>APPROVAL NO</b>	<b>V053092</b>
<b>PRICE</b>	

Heat 'n' Vent 4 "Pro Series"



Heat Lamp



<b>ORDER CODE</b>	<b>SECL0081</b>
<b>PRICE</b>	

All prices **DO NOT** include GST.

[www.westaflex.com.au](http://www.westaflex.com.au)

# VENTILATION / FANS

## COMFORT HOME SERIES

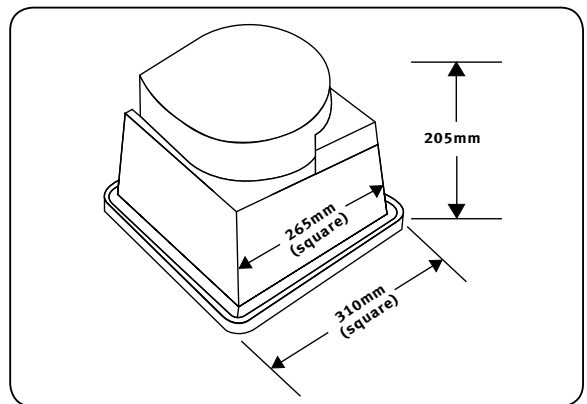
- High efficiency centrifugal fan
- 100mm ducting
- Exhaust Grille
- 60 watt light
- Wall switch included
- Attractive low profile fascia
- Very quiet in operation

This new concept in Fan / Light model combines efficient ventilation and soft lighting to create a 'comfort zone' in any bathroom.

The Light 'n' Vent has been designed to be ducted (as per Australian Standard requirements), resulting in a product supplied which is very quiet in operation and is inclusive of: - ducting, a soffit mounted grille, dual switch plate, lamp and all fittings.

The centrifugal fan design provides for building code compliance and ease of installation. The horizontal duct take off and 100mm diameter ducting make it easy for the installer to work in confined spaces and as a result the unit can even be installed between floors where 250mm joists are used. Dual switching is included, providing for independent control of your bathroom ventilation and lighting requirements.

**Light 'n' Vent 1**



<b>ORDER CODE</b>	<b>SEC0539</b>
<b>NAME</b>	<b>Light 'n' Vent 1</b>
<b>DUCT SIZE</b>	<b>100mm (4")</b>
<b>DUCT LENGTH</b>	<b>3 metres</b>
<b>PERFORMANCE</b>	<b>51 l/s Max with duct &amp; grille</b>
<b>FAN TYPE</b>	<b>Centrifugal</b>
<b>HEAT LAMP WATT</b>	<b>N/A</b>
<b>LIGHT WATT</b>	<b>60 watt</b>
<b>PRICE</b>	

**» NOTE**

Switching method for this unit is "Standard"  
 - operates from a remote light switch.

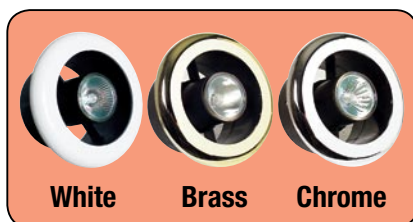
All prices **DO NOT** include GST.  
[www.westaflex.com.au](http://www.westaflex.com.au)

# VENTILATION / FANS

## SHOWERLITE KITS

The new Showerlite is a distinctive light incorporated into a circular diffuser, suitable for showers and bathrooms. The three attractive showerlite finishes, white, chrome and brass, will enhance any shower or bathroom with a warm glow of soft light. The showerlite can be used within the splash area of the shower or bath and is powered by remote S.E.L.V (Safety Extra Low Voltage) isolating transformer.

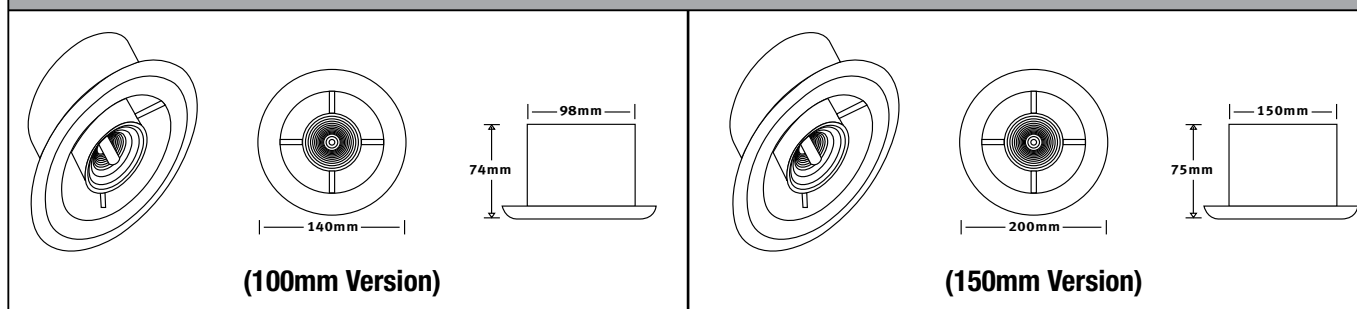
Now available as a single unit or in complete kit form. Each Showerlite kit includes a white showerlite unit, centrifugal in-line fan, 3 metres of flexible ducting, 1 S.E.L.V transformer, exhaust vent, mounting hardware.



ORDER CODE	SIZE	PERFORMANCE	SWITCHING METHOD	PRICE
SEC0420	100mm (4")	31 l/s Max	Standard	
SEC0438	100mm (4")	31 l/s Max	Timer	
SEC0803	150mm (6")	87 l/s Max	Standard	
SEC0804	150mm (6")	87 l/s Max	Timer	

ORDER CODE	SIZE	DESCRIPTION	PRICE
SEC0365B	100mm (4")	Showerlite Brass Bezel	
SEC0366C	100mm (4")	Showerlite Chrome Bezel	
SEC0612	150mm (6")	Showerlite Brass Bezel	
SEC0613	150mm (6")	Showerlite Chrome Bezel	
SEC0431	N/A	12 Volt 50W Dichroic lamp	
SEC0436	N/A	SELV Transformer 12 Volt AC 50W	
SEC0360W	100mm (4")	Showerlite diffuser inc. lamp white	
SECD1169	150mm (6")	Showerlite diffuser inc. lamp	

### DIMENSIONS



All prices **DO NOT** include GST.

[www.westaflex.com.au](http://www.westaflex.com.au)

E 24 - August '08 Issue